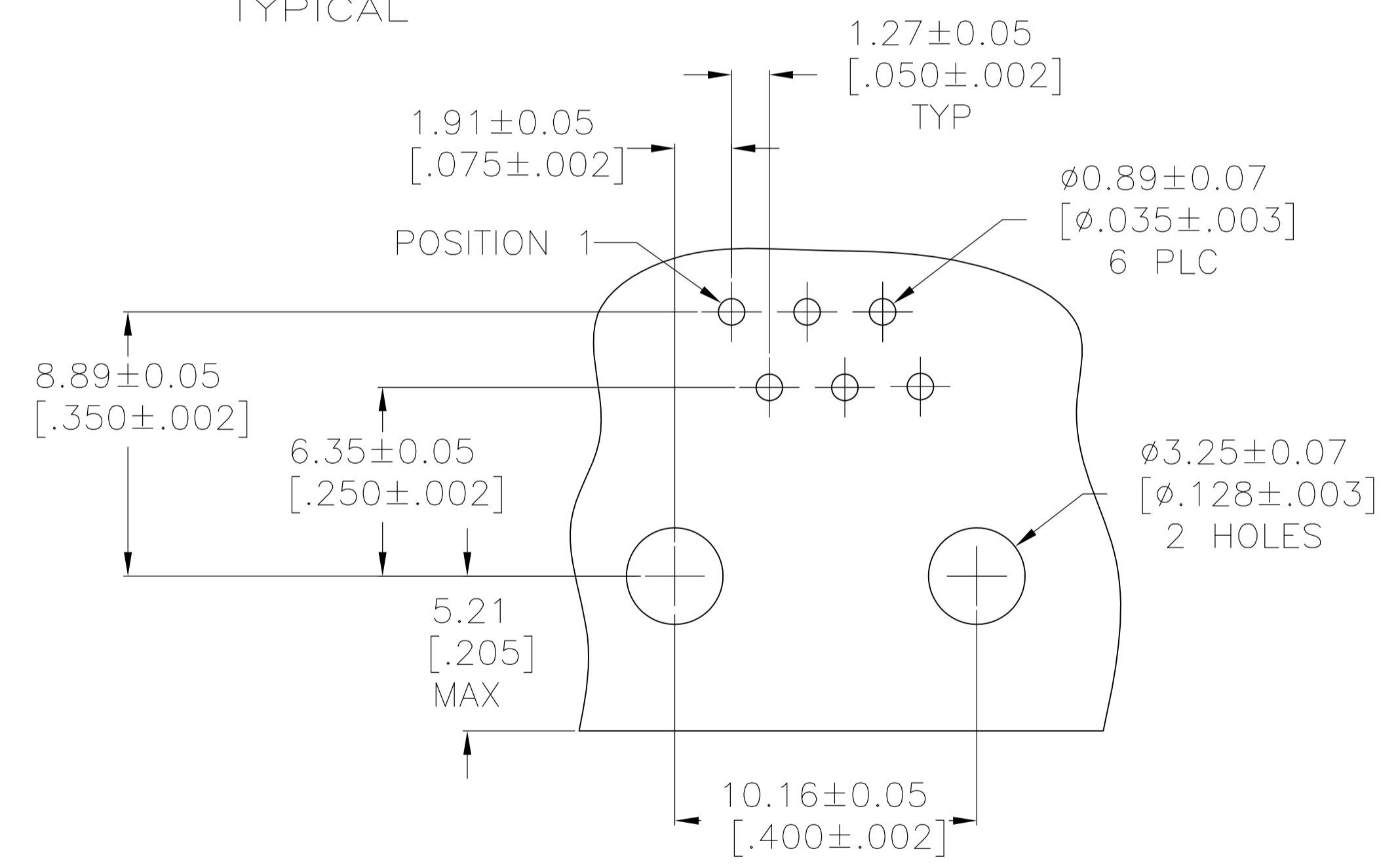
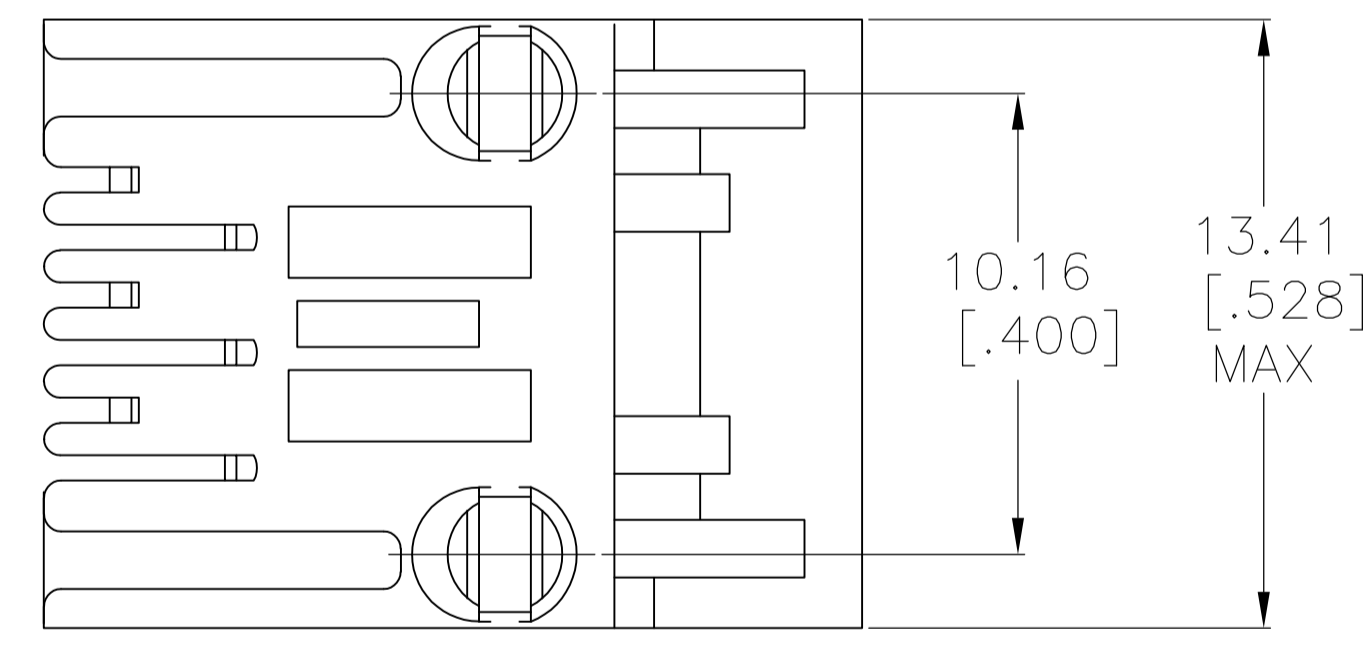
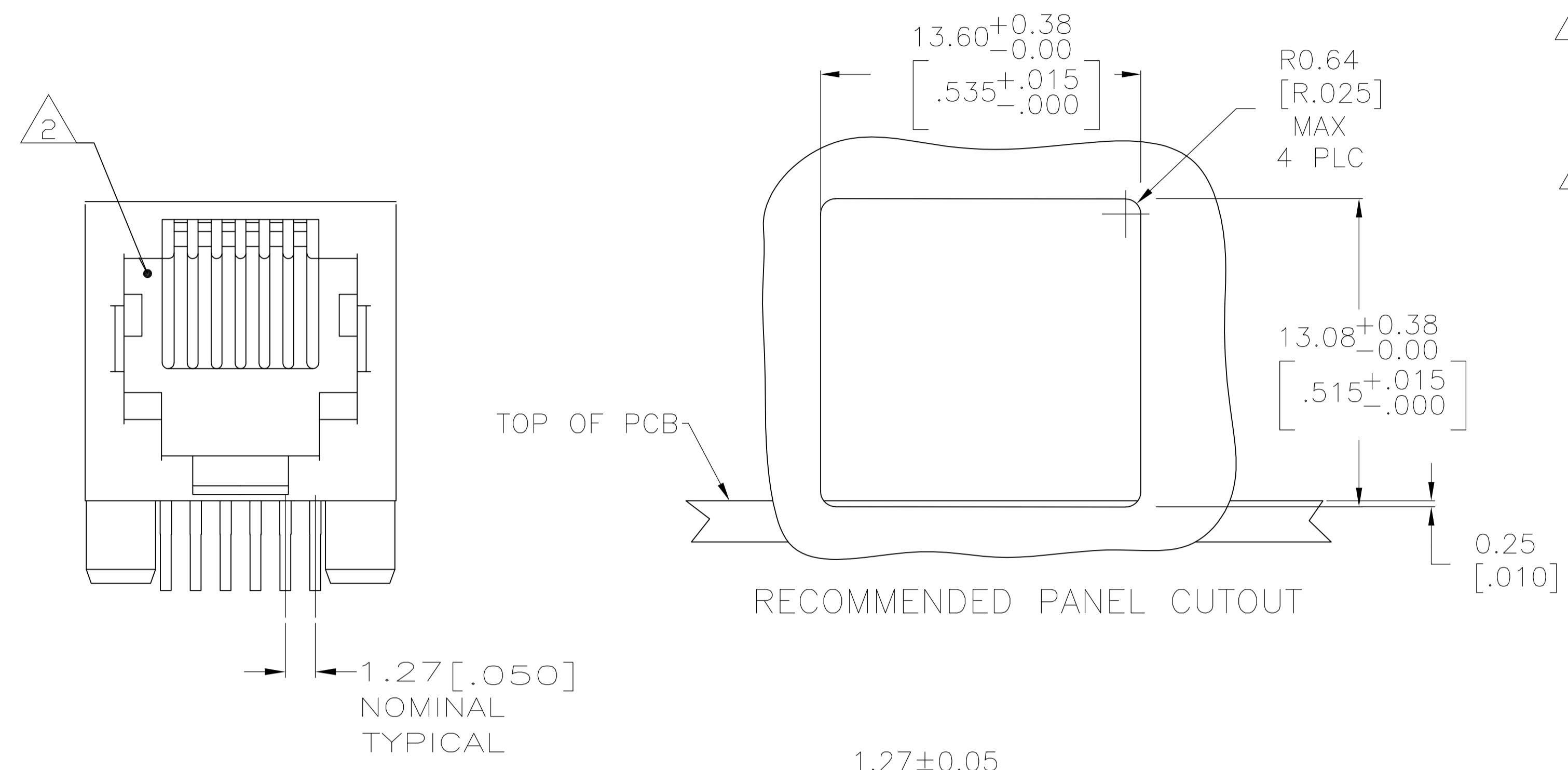
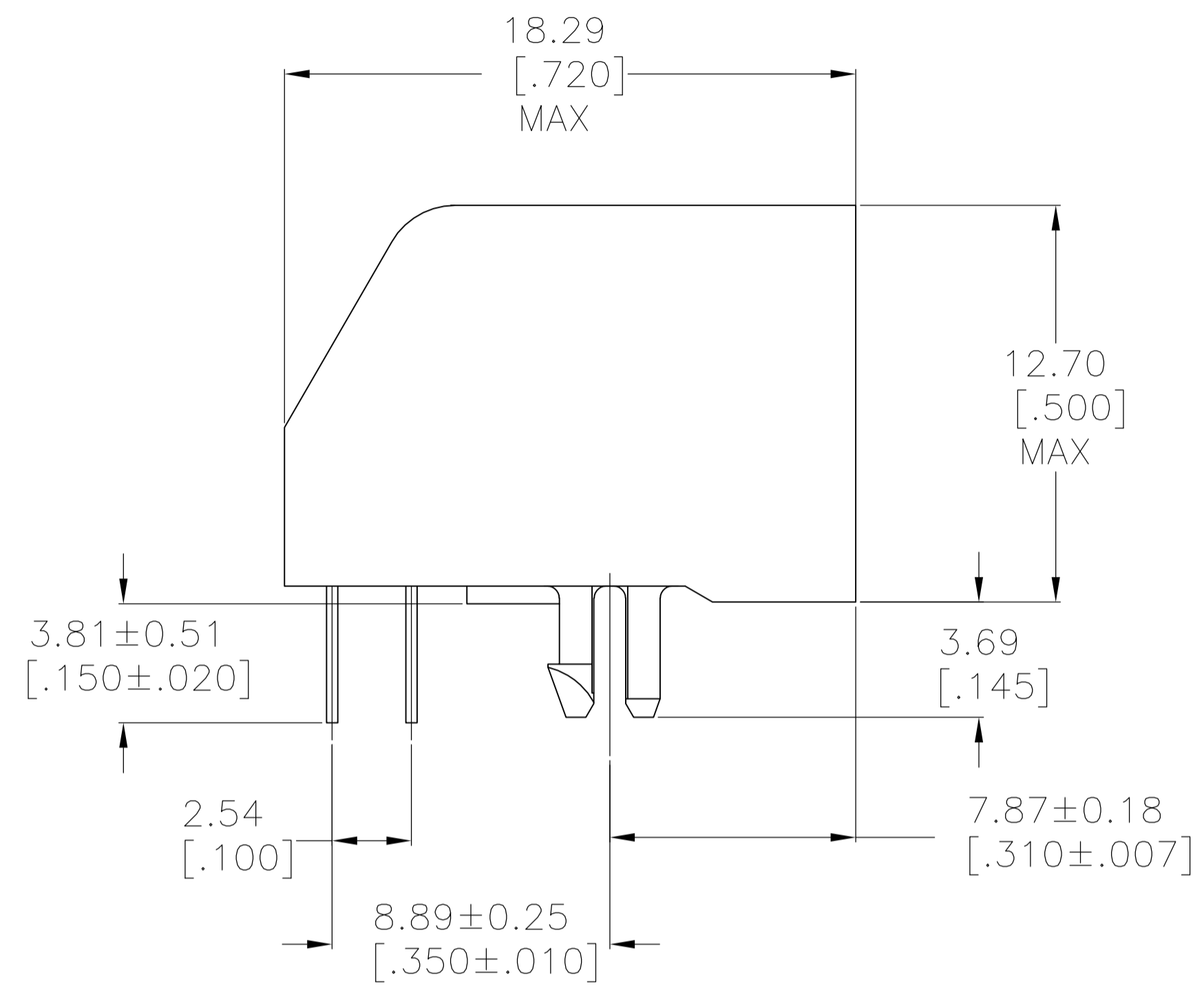


| LOC | | DIST | | REVISIONS | | | |
|-----|----|---------------------------|-----------|-----------|------|------|-------------|
| GP | 00 | REV | DATE | BY | APPV | DATE | DESCRIPTION |
| E2 | | REVISED PER ECO-12-014371 | 15NOV2012 | CJV | PAR | | |

- MATERIAL: HOUSING - PBT POLYESTER, COLOR: BLACK
TERMINAL - 0.35[.0138] THICK PHOS BRONZE
PLATED WITH 1.27 μ m[.000050] THICK
HARD GOLD IN LOCALIZED GOLD PLATE AREA AND
2.03 μ m[.000080] THICK MATTE TIN IN SOLDER
AREA OVER 1.27 μ m[.000050] THICK NICKEL
UNDERPLATE.
- CAVITY CONFORMS TO FCC RULES AND REGULATIONS
PART 68, SUBPART F.
- BULK PACKAGED IN A TRAY.
- TERMINALS FOR 5555165-2 AND -5 LOCATED IN
CENTER POSITIONS.



RECOMMENDED PRINTED CIRCUIT BOARD LAYOUT
COMPONENT SIDE SHOWN

| OBsolete | DEC GREY | 4 | 4 | 5555165-8 |
|----------|----------|---|-----------------------|-------------|
| | BLACK | 2 | 6 | 5555165-5 |
| | BLACK | 4 | 4 | 5555165-2 |
| | BLACK | 6 | 4 | 5555165-1 |
| | COLOR | | TERMINALS REQUIRED | PART NUMBER |

THIS DRAWING IS A CONTROLLED DOCUMENT. DIMENSIONING AND TOLERANCING PER ASME Y14.5M-2009.

| | | | |
|----------------------------|--------------------------------------------------------------------------------------------------------------------------------|------------------------------------------|-------------------------------------------------------------------------------------------------|
| DIMENSIONS: mm [INCHES] | TOLERANCES UNLESS OTHERWISE SPECIFIED: 0 PLC ± - 1 PLC ± - 2 PLC ± 0.13[.005] 3 PLC ± - 4 PLC ± - ANGLES ± - | APPROVED: S. FLICKINGER 08JUNE2005 | NAME: MODULAR JACK ASSEMBLY, 6 POSITION, LOW PROFILE, RIGHT ANGLE, WITHOUT PANEL STOPS |
| MATERIAL: SEE NOTE 1 | FINISH: SEE NOTE 1 | WEIGHT: - | SIZE: A1 SCALE: 6:1 SHEET: 1 OF 1 REV: E2 |

STE TE Connectivity

00779 5555165